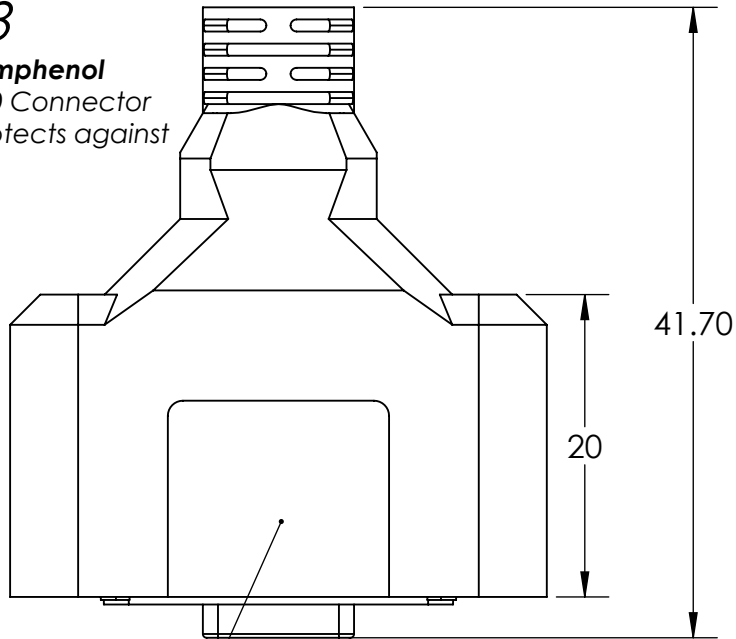


NEWNEX PROPRIETARY

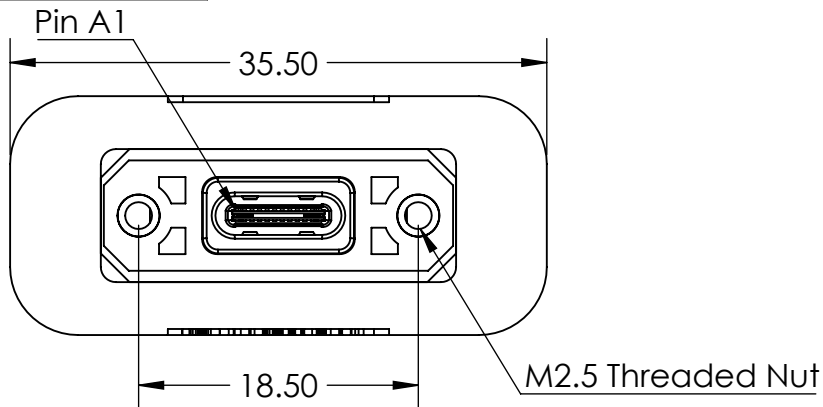
THIS DOCUMENT AND THE DATA DISCLOSED HEREIN OR WITHIN IS NOT TO BE REPRODUCED, USED, OR DISCLOSED IN WHOLE OR PART TO ANYONE WITHOUT THE WRITTEN PERMISSION OF NEWNEX

PN: CP8

Feature with **Amphenol MUSBRM1C1M0** Connector
IP67 sealing protects against water and dust



Blank Side As Top (A1 Side)



Suggested Panel Cut-Outs

