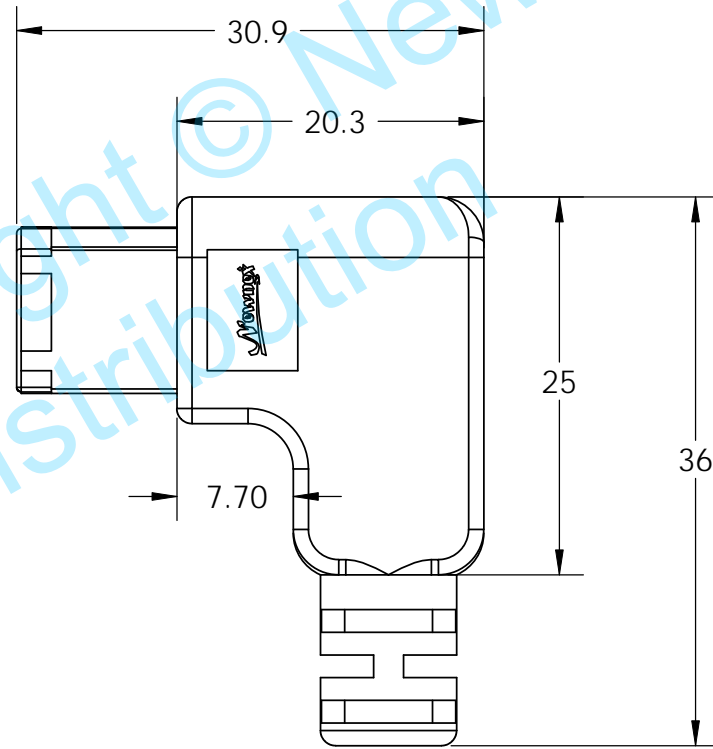
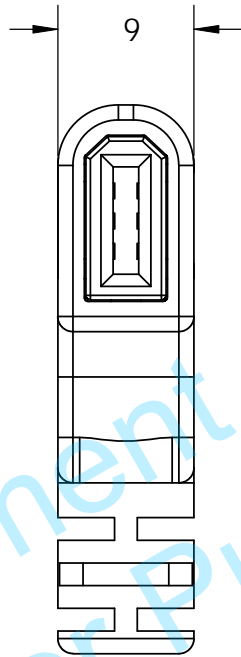


**NEWNEX PROPRIETARY**

THIS DOCUMENT AND THE DATA DISCLOSED HEREIN OR WITHIN IS NOT TO BE REPRODUCED, USED, OR DISCLOSED IN WHOLE OR PART TO ANYONE WITHOUT THE WRITTEN PERMISSION OF NEWNEX



Newnex Technology Corp.



UNLESS OTHERWISE SPECIFIED DIMENSIONS ARE IN MILLIMETERS TOLERANCES ARE:			MATERIAL	TITLE: FireWire Angled 6 Pin	
FRACTIONS ± NA	DECIMALS X <sub>2</sub> 0.2 XX <sub>4</sub> 0.1 XXX <sub>6</sub> 0.05	ANGLES ± 0.5°	PROJ: 	SCALE: 2:1	REV: A
PART NUMBER: 6R01			DRAWN BY:		APPROVED BY:
			DATE: 7/27/2011		SHEET 1 OF 1

\*RoHS compliant product